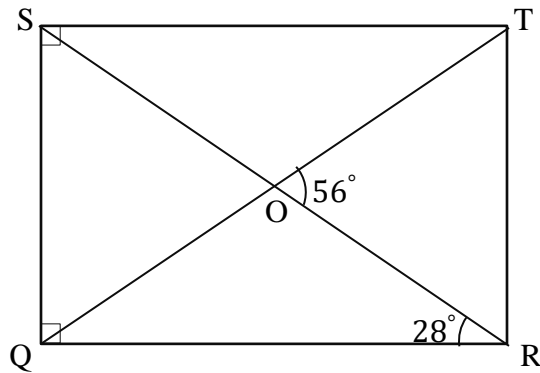
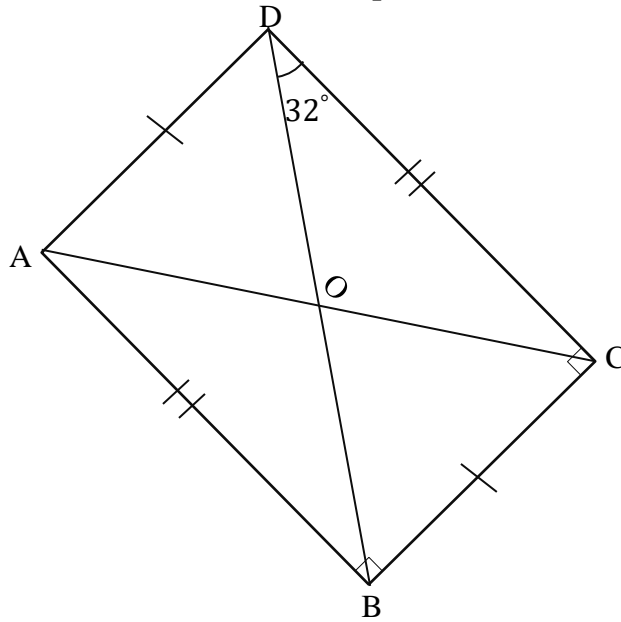


Use the figure below to answer questions 1-11.



1. Which side in ΔSRQ is equal to ST in ΔSTQ ?
2. Determine the size of $\angle QST$ in ΔSTQ .
3. Determine the size of $\angle SQR$ in ΔSQR .
4. Which side is common in ΔSTQ and ΔSQR ?
5. Is $\Delta STQ \cong \Delta SQR$? State a reason for your answer.
6. Is $QT = SR$? State a reason for your answer.
7. Determine the size of $\angle QTS$.
8. Determine the size of $\angle SOT$.
9. Determine the size of $\angle SOQ$.
10. Determine the size of $\angle QOR$.
11. Determine the size of $\angle RQO$.

Use the figure below to answer number questions 12 to 20.



12. Which side in $\triangle BCD$ is equal to AB in $\triangle BCA$?
13. Determine the size of $\angle BCD$ in BCD .
14. Determine the size of $\angle ABC$ in $\triangle BCA$.
15. Which side is common in $\triangle BCD$ and $\triangle BCA$?
16. Is $\triangle BCD \cong \triangle BCA$? State a reason for your answer.
17. Is $AC = BD$? State a reason for your answer.
18. Determine the size of $\angle BAC$.
19. Determine the size of $\angle ACD$.
20. Determine the size of $\angle ABD$.

Answer Keys

Day 114:

1. QR
2. 90°
3. 90°
4. SQ
5. Yes. $ST = QR$, SQ is common and the included angles are equal.
6. Yes. They are corresponding sides in two congruent angles.
7. 28°
8. 124°
9. 56°
10. 124°
11. 28°
12. DC
13. 90°
14. 90°
15. BC
16. Yes. $AB = DC$, BC is common and the included angles are equal.
17. Yes. They are corresponding sides in two congruent angles.
18. 32°
19. 32°
20. 32°