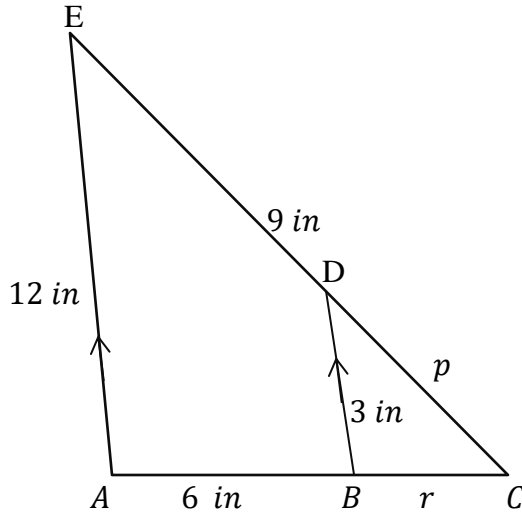
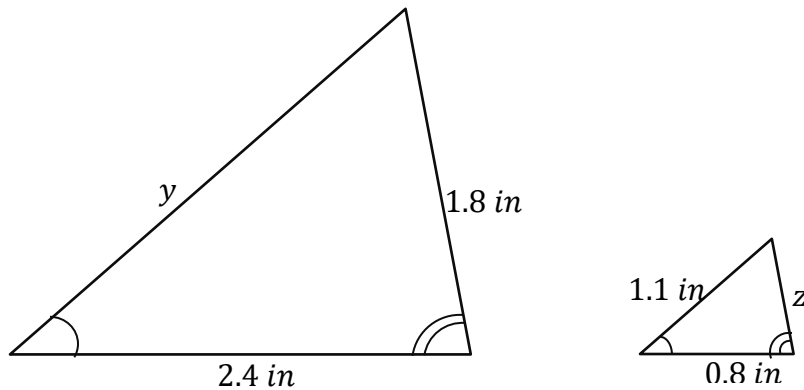


Use the diagram below to answer the questions 1-3.



1. Find the value of r
2. Find the value of p
3. Find the length of AC
4. A student who is 5ft has a shadow of length 15ft. At the same time, the length of the shadow of a building was 450 ft. What is the height of the building?

Use the diagram below to answer the questions 5 and 6.

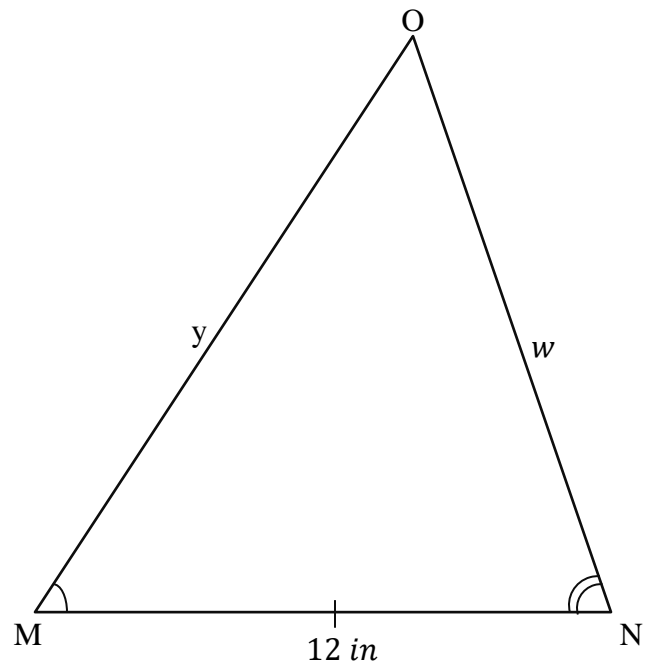
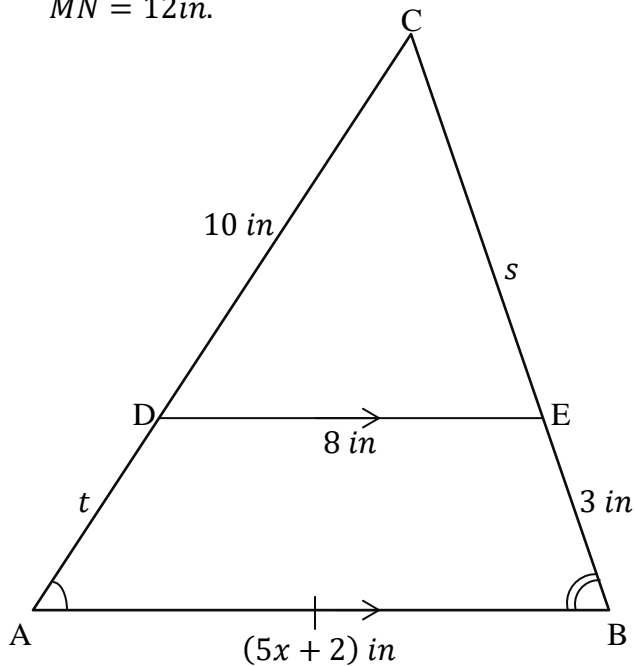


5. Find the value of y

6. Find the value of z

Use the diagram below to answer questions 7-11.

$MN = 12\text{in.}$



7. Find the value of x .

8. Find the value of t

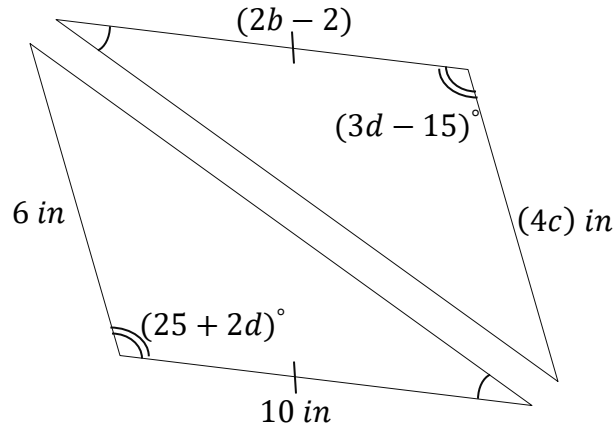
9. Find the value of y

10. Find the value of s

11. What is the value of w ?

12. A mobile phone manufacturing company makes two rectangular models of mobile phones such that they are similar. The first model has a width of 2 in and a length of 3 in. If the second model has a width of 2.5 in, what is its length?

Use the figure below to answer questions 13-15.



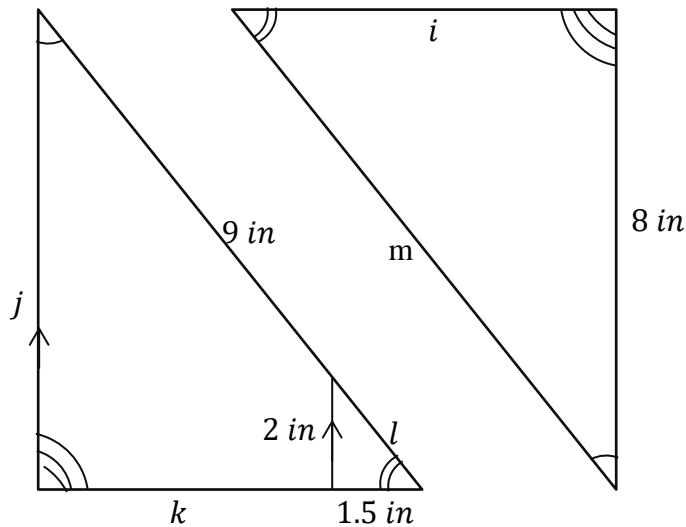
13. What is the value of d ?

14. Find the value of b

15. Find the value of c

Use the diagram below to answer questions 16 to 20.

The two triangles are image and pre-image of one another under glide reflection.



16. What is the value of j ?

17. Find the value of k

18. Find the value of l

19. Find the value of the of m

20. Find the value of i

Answer Keys

Day 78:1. 2 *in*2. 3 *in*3. 8 *in*4. 150 *ft*5. 3.3 *in*6. 0.6 *in*7. $x = 2$ *in*8. $t = 5$ *in*9. 15 *in*10. 6 *in*11. 9 *in*12. 3.75 *in*

13. 40

14. 6

15. $\frac{3}{2}$ 16. 8 *in*17. 6 *in*18. 3 *in*19. 12 *in*20. 7.5 *in*