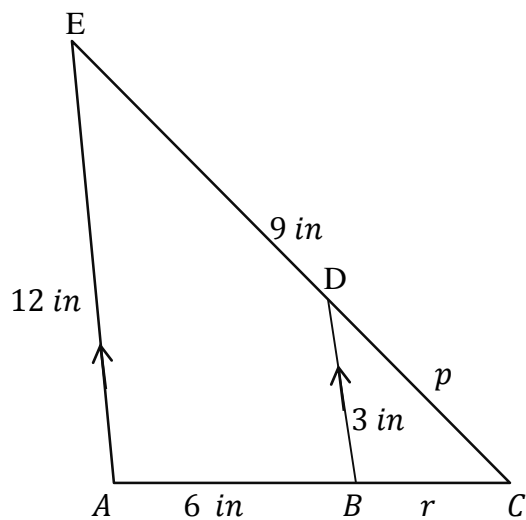


Use the diagram below to answer the questions 1-3.



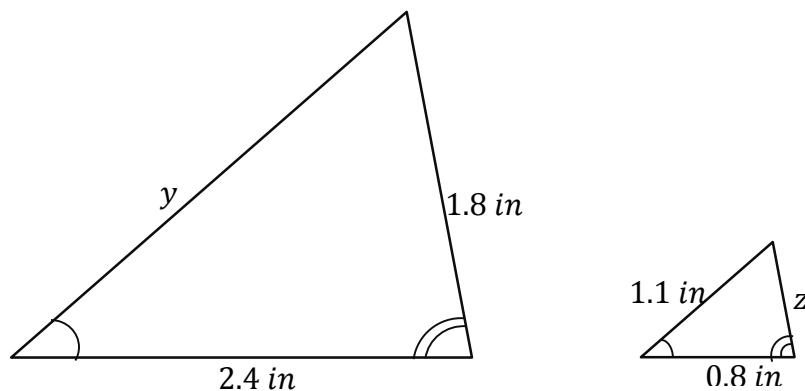
1. Find the value of r

2. Find the value of p

3. Find the length of AC

4. A student who is 5ft has a shadow of length 15ft. At the same time, the length of the shadow of a building was 450 ft. What is the height of the building?

Use the diagram below to answer the questions 5 and 6.

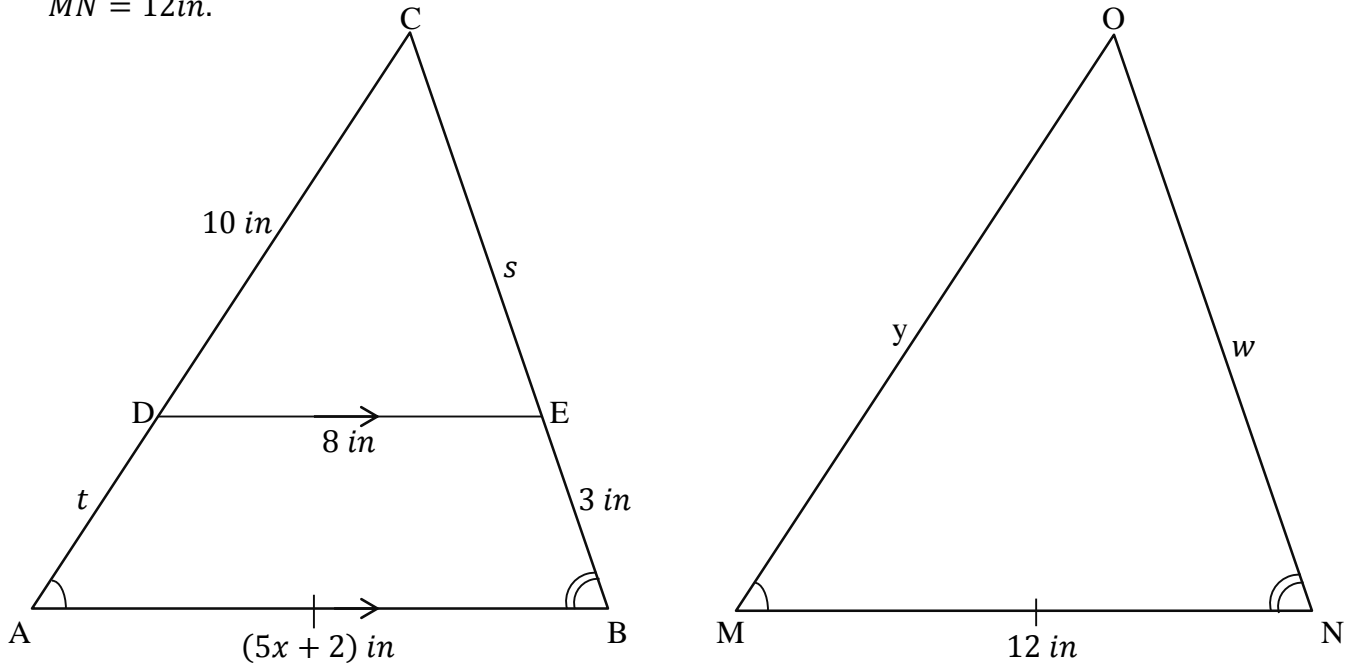


5. Find the value of y

6. Find the value of z

Use the diagram below to answer questions 7-11.

$MN = 12\text{ in.}$



7. Find the value of x .

8. Find the value of t

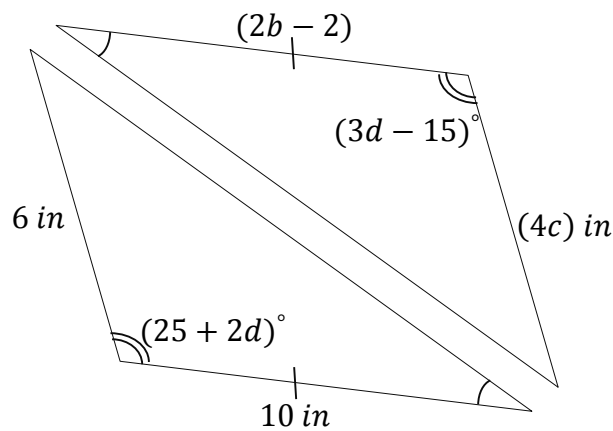
9. Find the value of y

10. Find the value of s

11. What is the value of w ?

12. A mobile phone manufacturing company makes two rectangular models of mobile phones such that they are similar. The first model has a width of 2 in and a length of 3 in. If the second model has a width of 2.5 in, what is its length?

Use the figure below to answer questions 13-15.



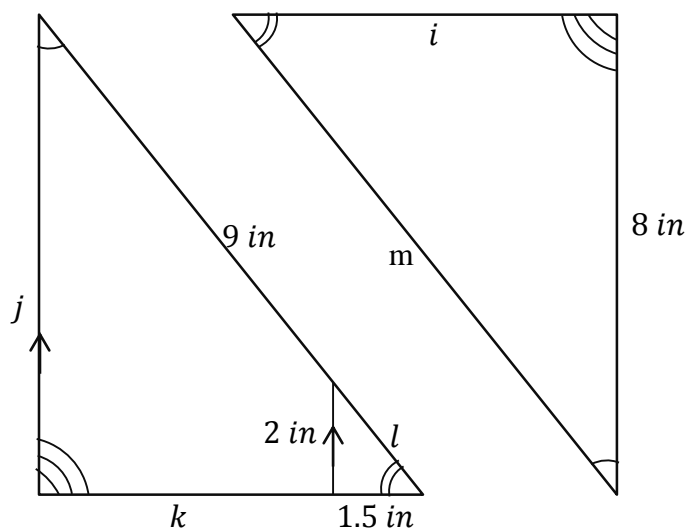
13. What is the value of d ?

14. Find the value of b

15. Find the value of c

Use the diagram below to answer questions 16 to 20.

The two triangles are image and pre-image of one another under glide reflection.



16. What is the value of j ?

17. Find the value of k

18. Find the value of l

19. Find the value of the of m

20. Find the value of i

Answer Keys

Day 78:1. 2 in 2. 3 in 3. 8 in 4. 150 ft 5. 3.3 in 6. 0.6 in 7. $x = 2 \text{ in}$ 8. $t = 5 \text{ in}$ 9. 15 in 10. 6 in 11. 9 in 12. 3.75 in 13. 40 14. 6 15. $\frac{3}{2}$ 16. 8 in 17. 6 in 18. 3 in 19. 12 in 20. 7.5 in